

# Owner's Manual

## Havis IP Rated Docking Station & Tablet Cases

### For Dell Latitude 7030/7230 Rugged Extreme Tablet

#### DS-TAB-300 Series

DS-TAB-301

DS-TAB-302



#### TA-100 Series

TA-101

TA-102 (Not Shown)



DS-TAB-300\*TA-100-SERIES\_OMN\_11-23

**Havis, Inc.**  
75 Jacksonville Road  
Warminster, PA 18974

# Before Beginning

Havis is pleased to provide this Owner's Manual to aid in the proper installation and use of the DS-TAB-300 Series Docking Stations and TA-100 Series Tablet Accessories.

For questions regarding the set-up of your DS-TAB-300 Series Docking Station or TA-100 Series Tablet Accessories, please contact Havis at 1-800-524-9900 or visit [www.havis.com](http://www.havis.com) for additional product support and information.

## **⚠️ WARNING**

- NEVER STOW OR MOUNT THE DOCKING STATION DIRECTLY IN A VEHICLE AIRBAG DEPLOYMENT ZONE.
- DO NOT USE THE COMPUTER WHILE DRIVING.
- NE JAMAIS PLACER OU MONTER LA STATION D'ACCUEIL DIRECTEMENT DANS LA ZONE DE DÉPLOIEMENT DES COUSSINS GONFLABLES D'UN VÉHICULE.
- NE PAS UTILISER L'ORDINATEUR EN CONDUISANT.

## **⚠️ CAUTION**

- READ ALL INSTRUCTIONS THOROUGHLY BEFORE BEGINNING INSTALLATION.
- DO NOT STORE, INSTALL, OR OPERATE THE DOCKING STATION WHERE WATER, MOISTURE, STEAM, DUST, ETC. ARE PRESENT
- DO NOT CONNECT DIRECTLY TO VEHICLE VOLTAGE SOURCE: This product requires a certified, automotive grade, Dell/Havis approved power supply with a 19.5 V power output, such as the LPS-185, or an appropriate isolated power supply such as the LPS-186 or LPS-187. Failure to comply with this requirement will cause product damage that is NOT repairable and is NOT covered under warranty.
- LISEZ ATTENTIVEMENT TOUTES LES INSTRUCTIONS AVANT DE PROCÉDER À L'INSTALLATION.
- NE PAS ENTREPOSER, INSTALLER OU UTILISER LA STATION D'ACCUEIL DANS UN ENDROIT OÙ L'EAU, L'HUMIDITE, LA VAPEUR, LA POUSSIERE, ETC. SONT PRÉSENTS.
- NE PAS CONNECTER DIRECTEMENT A LA SOURCE DE TENSION DU VEHICULE : Ce produit requiert un source de courant certifié, de qualité automobile et approuvé par Dell/Havis, pour une puissance de sortie de 19.5 V, comme le LPS-185, ou une alimentation isolée appropriée comme le LPS-186 ou le LPS-187. Le non-respect de ces exigences entraînera des dommages au produit qui ne seront PAS réparables et ne seront PAS couverts par la garantie.

## **NOTICE**

- DO NOT CONNECT THE TABLET TO MULTIPLE POWER SUPPLIES. PRIOR TO DOCKING THE TABLET INTO THE DOCKING STATION, ENSURE THAT THERE IS NO POWER CABLE ATTACHED TO THE TABLET.

## Product Compatibility

Tablet	TA-100 Tablet Accessory	DS-TAB-301 Docking Station (External Power)	DS-TAB-302 Docking Station (Internal Power)
Dell Latitude 7230 Rugged Extreme Tablet	TA-101	PKG-DELL-1001	PKG-DELL-1002
Dell Latitude 7030 Rugged Extreme Tablet	TA-102	PKG-DELL-1201	PKG-DELL-1202

# Specifications

## DS-TAB-300 Series

(TA-100 Series Specifications vary by model)

	Configuration	Description	Power Options	Dock Voltage Requirement
Docking Station Information	DS-TAB-301	Standard Electronics	External Power Supply	19.5 VDC IN NOM
	DS-TAB-302	Standard Electronics with Internal Power Supply	DS-DA-339 Power Cable	12 VDC IN NOM (9-36 VDC-in)
Dimensions	9.58" (24.3 cm) H x 8.43" (21.41 cm) W x 2.34" (5.94 cm) D			
Weight	1.83 lbs. (0.83 kg)			
Operating Environment	-30° C to 55° C (-22° F to 131° F)			
Storage Environment	-40° C to 85° C (-40° F to 185° F)			
Ingress Rating	IP65			

## Precautions

- If a malfunction occurs, immediately unplug the Power Supply and remove the tablet
- Use only the specified Power Cable with this Docking Station
- Do not connect cables into ports other than what they are specified for
- Do not leave the Docking Station in a high temperature environment (greater than 85°C, 185°F) for a long period of time
- Do not dock Tablet Case if Docking Connector Pins are bent or damaged

### EC DECLARATION OF CONFORMITY in accordance with EN 50498

**Manufacturers Name:** Havis, Inc.

**Manufacturers Address:** 75 Jacksonville Road, Warminster, PA 18974 USA

**Declares under our sole responsibility that the product:**

**Product name:** Havis Docking Station For X Tablets, where 'X' denotes tablets listed in product compatibility matrix.

**Model:** DS-TAB-30X, where 'X' may be any alphanumeric character and which describes product options. May be followed by any alphanumeric characters which describe product options.

**Product Options:** This declaration covers all options of the above product which bear the CE Marking.

**Is in conformity with the following standards or other normative documents:**

Automotive EMC Directive EN 50498:2010, Electromagnetic compatibility (EMC) -  
2004/108/EC: Product family standard for aftermarket electronic equipment in vehicles  
Directive 2011/65/EU Restriction of the use of certain hazardous substances (RoHS)

**Supplementary Information:**

The product herewith complies with the requirements of the Automotive EMC Directive 2004/108/EC, Annex I, 6.5, 6.6, 6.8, and 6.9. This product requires the use of a recommended e-Marked automotive power supply when used within vehicles.

Warminster, PA, USA

September 20, 2018

Bruce Jonik, Director of Engineering, Havis, Inc.

**FCC 47CFR, Part 15 compliance:** This is an FCC Class B device. Any changes or modifications to the model DS-TAB-10X not expressly approved by Havis, Inc. could void the user's authority to operate this equipment.

# Parts Included (DS-TAB-300 Series)

## Docking Station

Release Handle

Barrel Lock & Lock Cover

Bumpers

Latch Hook

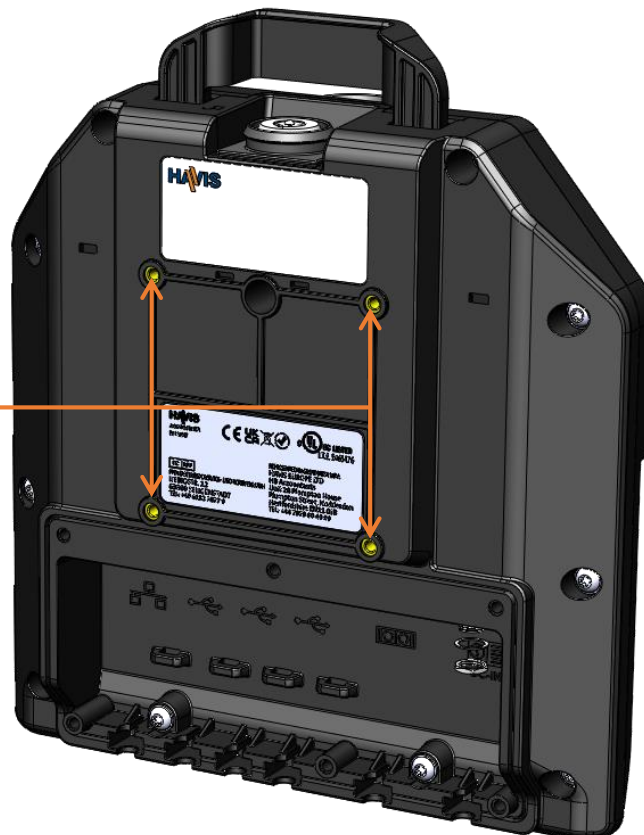
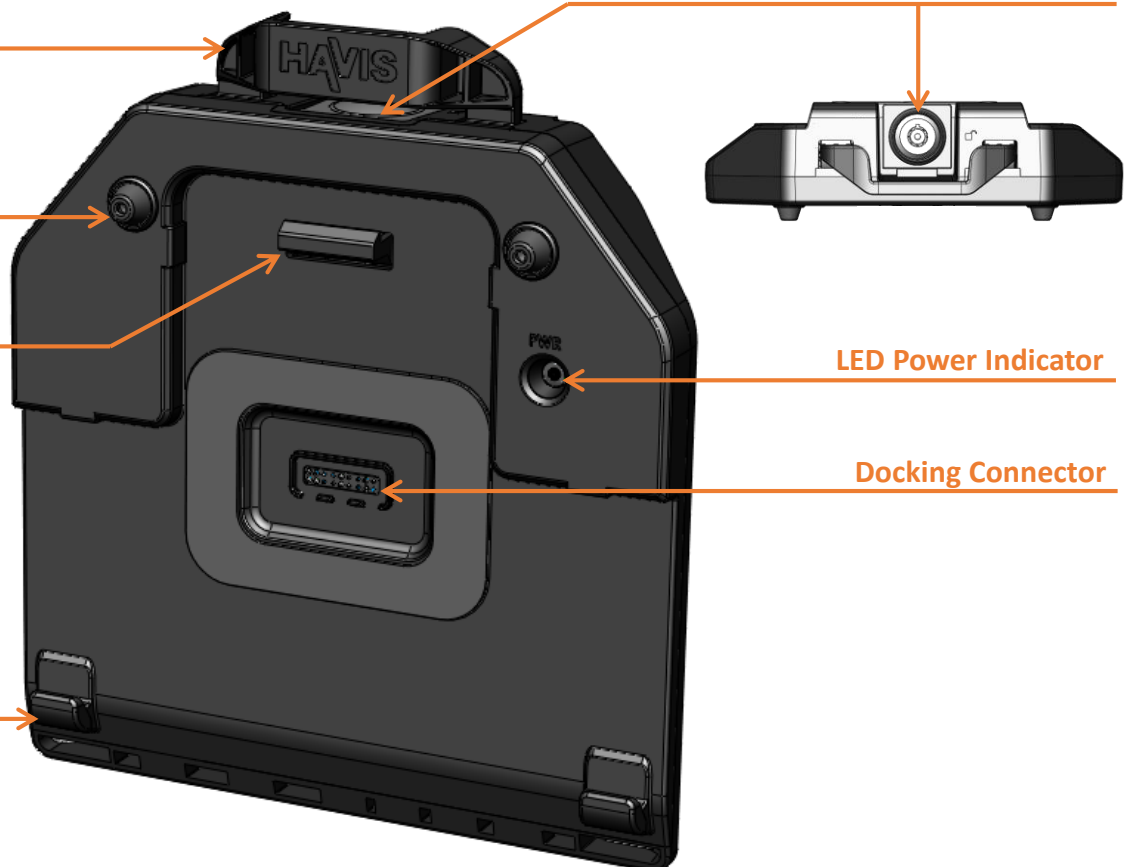
LED Power Indicator

Docking Connector

Front Hooks

Mounting Holes (x4)

(VESA 75mm Hole Pattern)



# Parts Included (DS-TAB-300 Series) (continued)

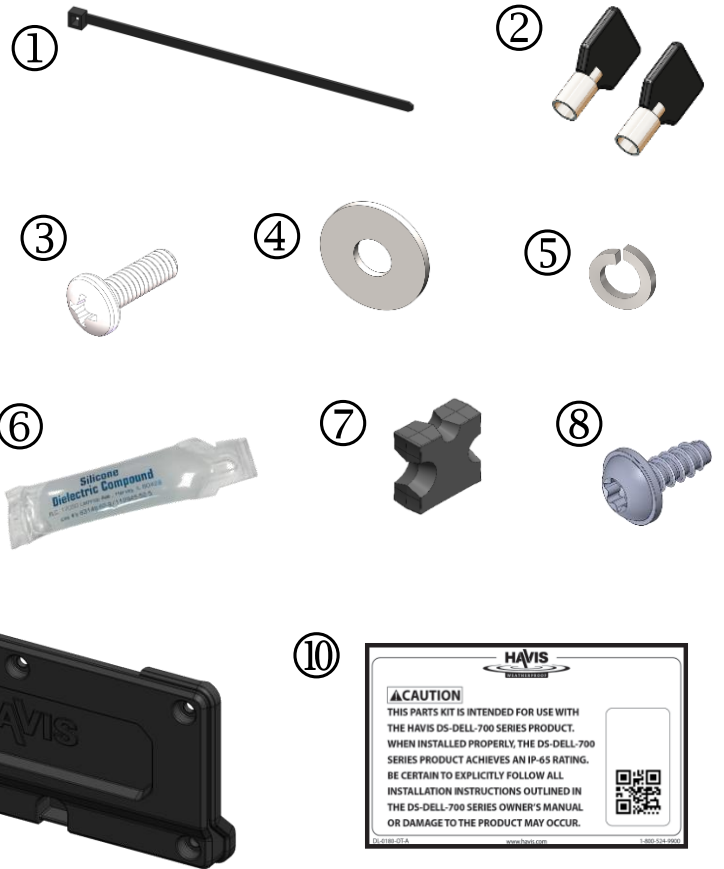
## Hardware Kit (30-012847)

This Hardware Kit includes:

1. Zip Ties (x5)
2. Keys (x2)
3. M4 x 0.7 x 12mm Long Screws (x5)
4. Flat Washers, M4 (x5)
5. Lock Washers, M4 (x5)
6. Grease Pack (x1)
7. Sealing Element (x12)
8. M4 Thread Forming Screw (x7)
9. IP65 Cable Cover
10. Caution Card

Tools required for installation:

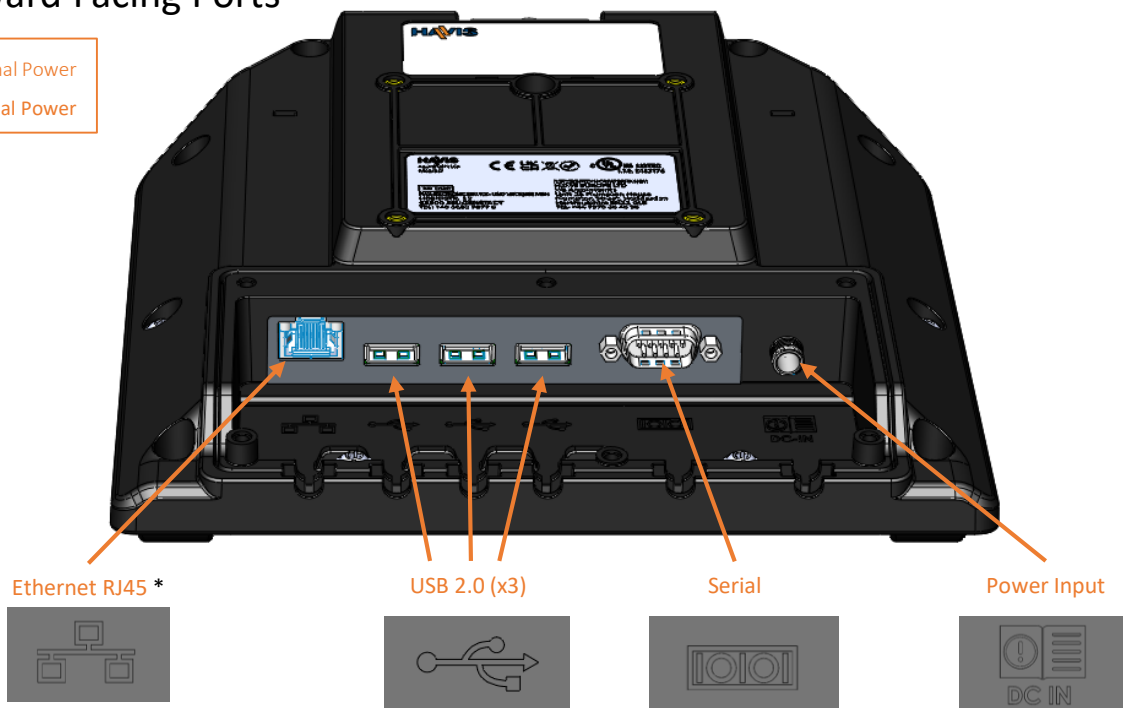
- #2 Phillips
- T20 Torx



# Port Replication Capability (DS-TAB-300 Series)

## Downward Facing Ports

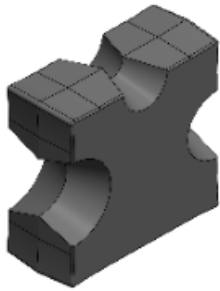
DS-TAB-301: External Power  
DS-TAB-302: Internal Power



- PXE feature is not supported.
- Wake-On-LAN (WOL) feature is not supported from S4/S5 states.

# IP-65 Cable Installation

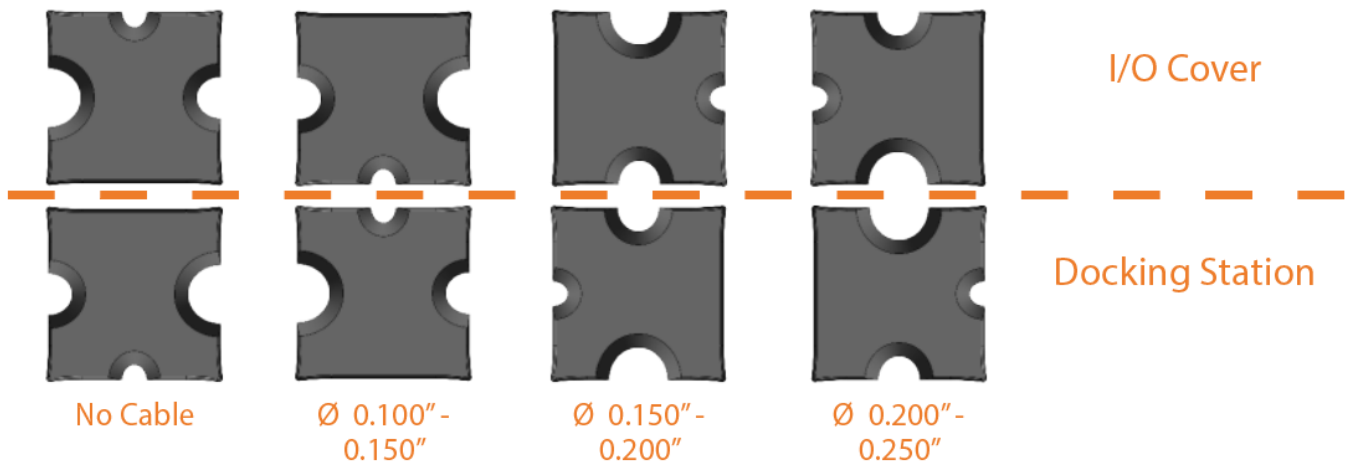
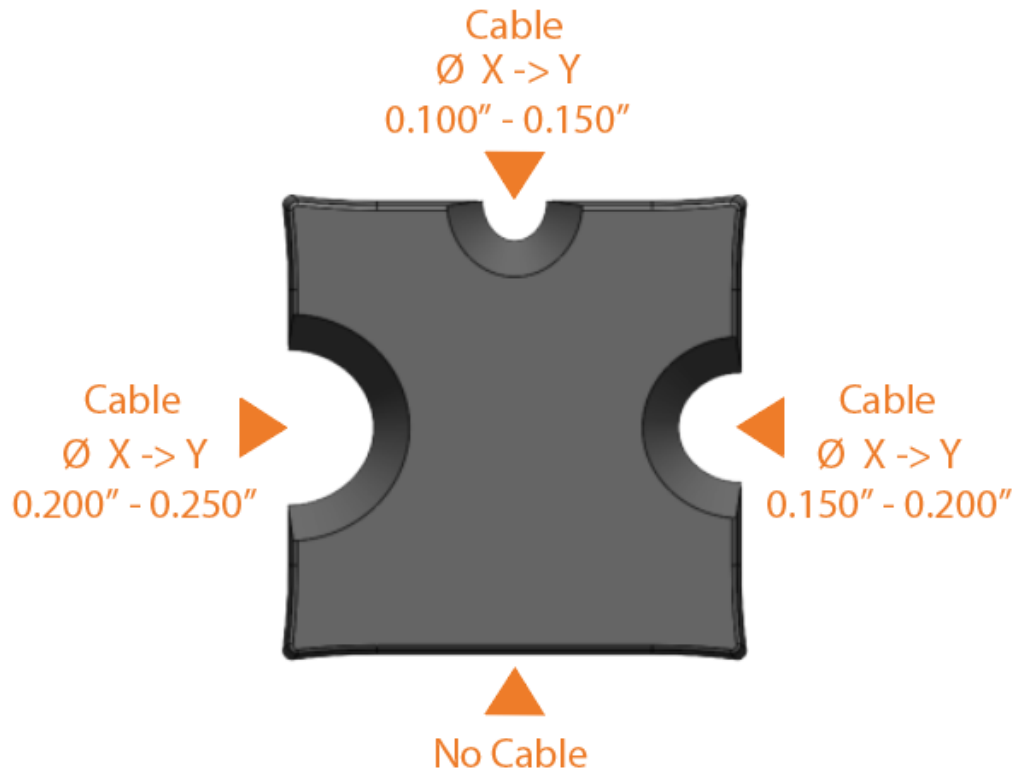
Sealing Element  
(12 required for installation)



Grease Pack



**CAUTION**  
DO NOT INSTALL CABLES GREATER THAN  $\varnothing 0.250''$  OR SMALLER THAN  $\varnothing 0.100''$ , OR YOUR IP-65 SEAL MAY BE COMPROMISED.

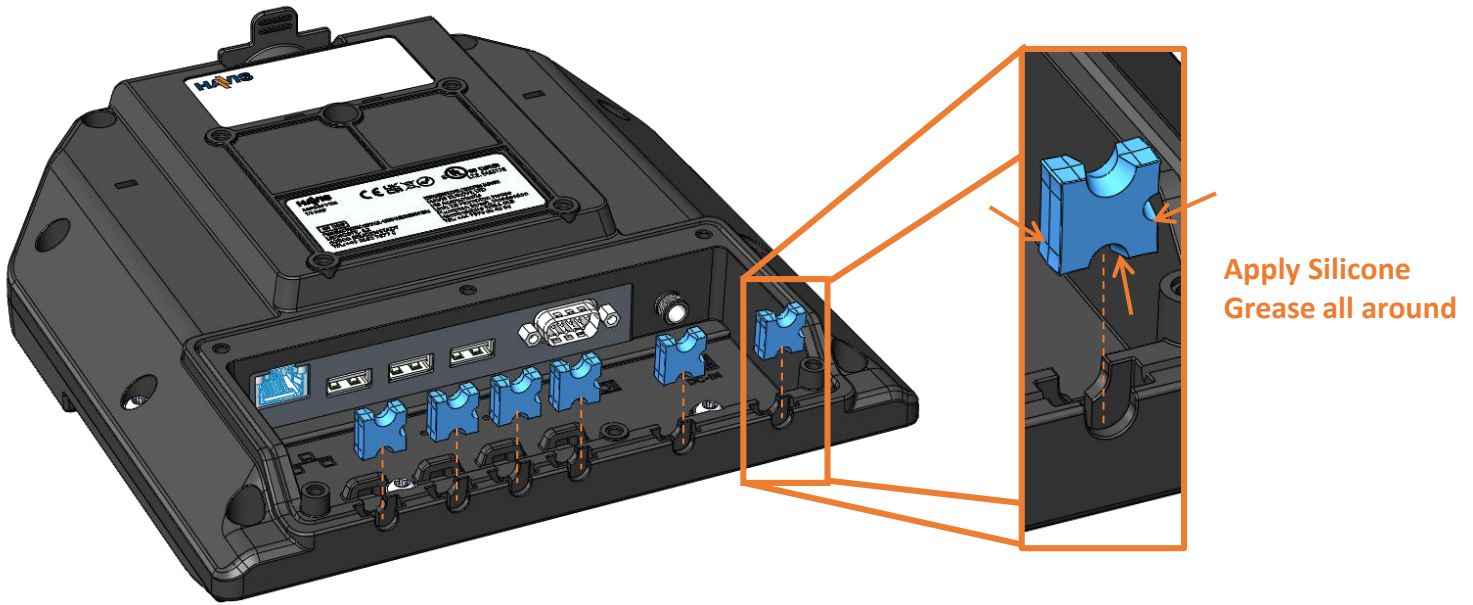




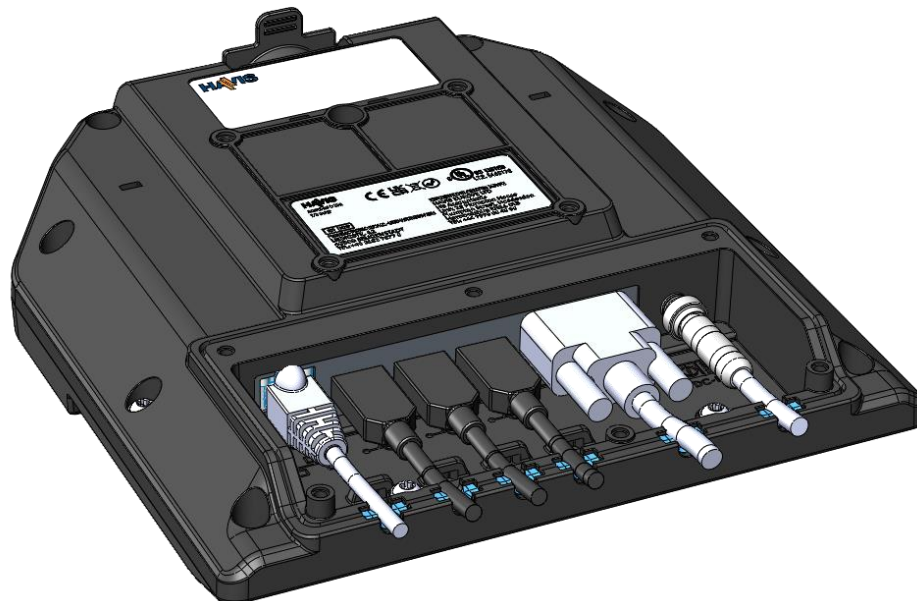
# IP-65 Cable Installation

- 1) Identify the number of peripherals to be connected and measure respective cable diameters.
- 2) Using Sealing Element sizing from Page 6, choose appropriate orientation and apply a small amount of provided Silicone Grease to the opposite side perimeter of the Sealing Element and insert into corresponding housing receptacle on the Docking Station, greased end first. Repeat for all Cable Channels. Sealing Elements are shown in blue for clarity.

NOTE: If no cable present, insert Sealing Elements as indicated on Page 6.

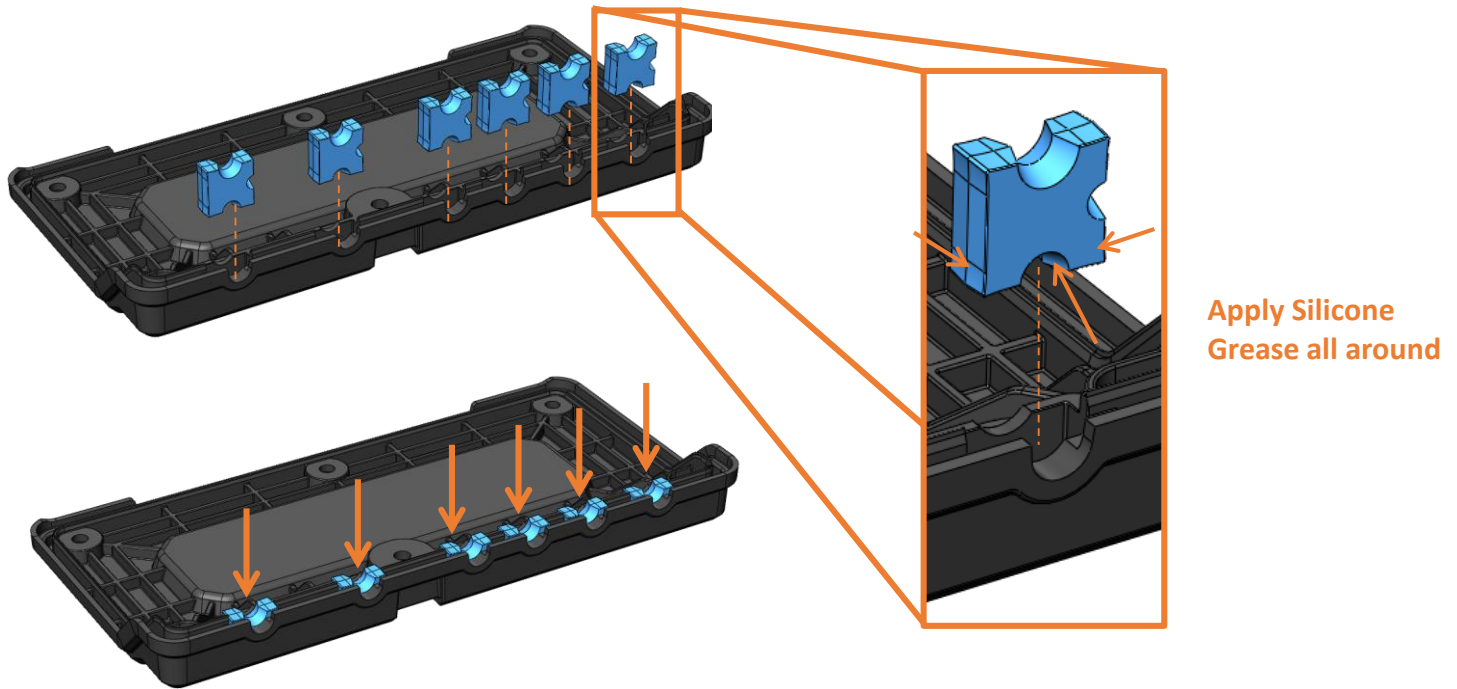


- 3) Plug peripherals into Docking Station's available ports.
- 4) Position cables in the closest Cable Channel being careful not to cross cables and route as straight as possible.

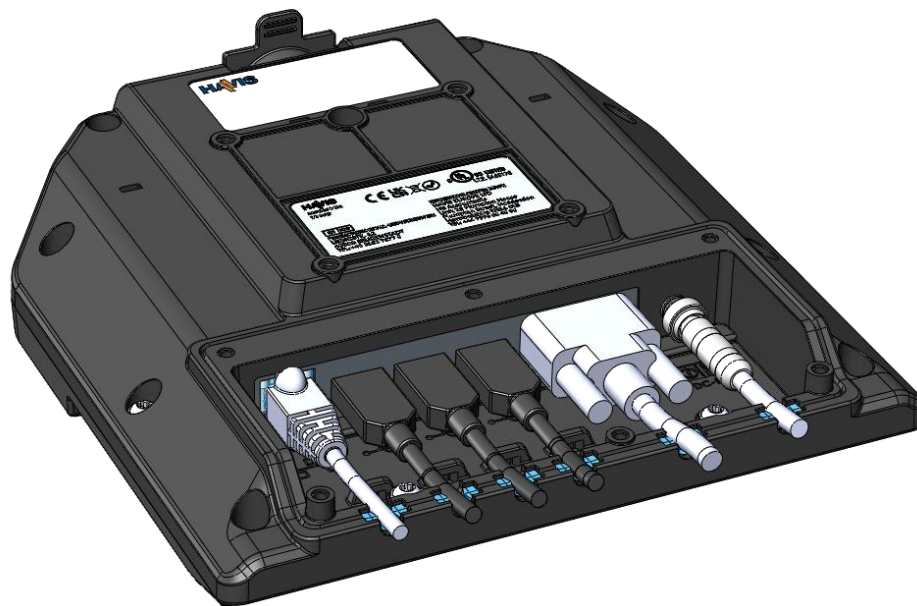


# IP-65 Cable Installation

- 1) Using the same Sealing Element orientation, insert a second Sealing Element into the I/O Cover at the same Cable Channel position. Repeat for all Cable Channels.



- 2) Before installing I/O Cover to Docking Station, ensure all Sealing Elements are fully seated and cables are aligned with Sealing Elements as shown.

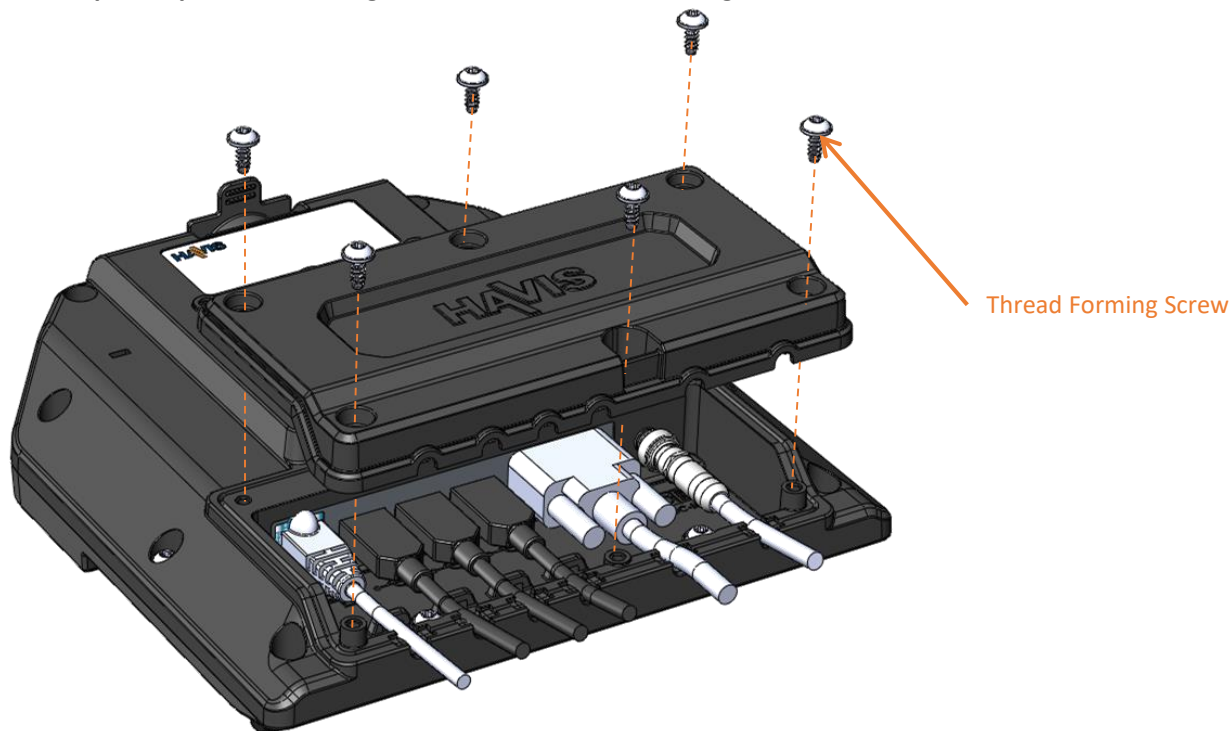




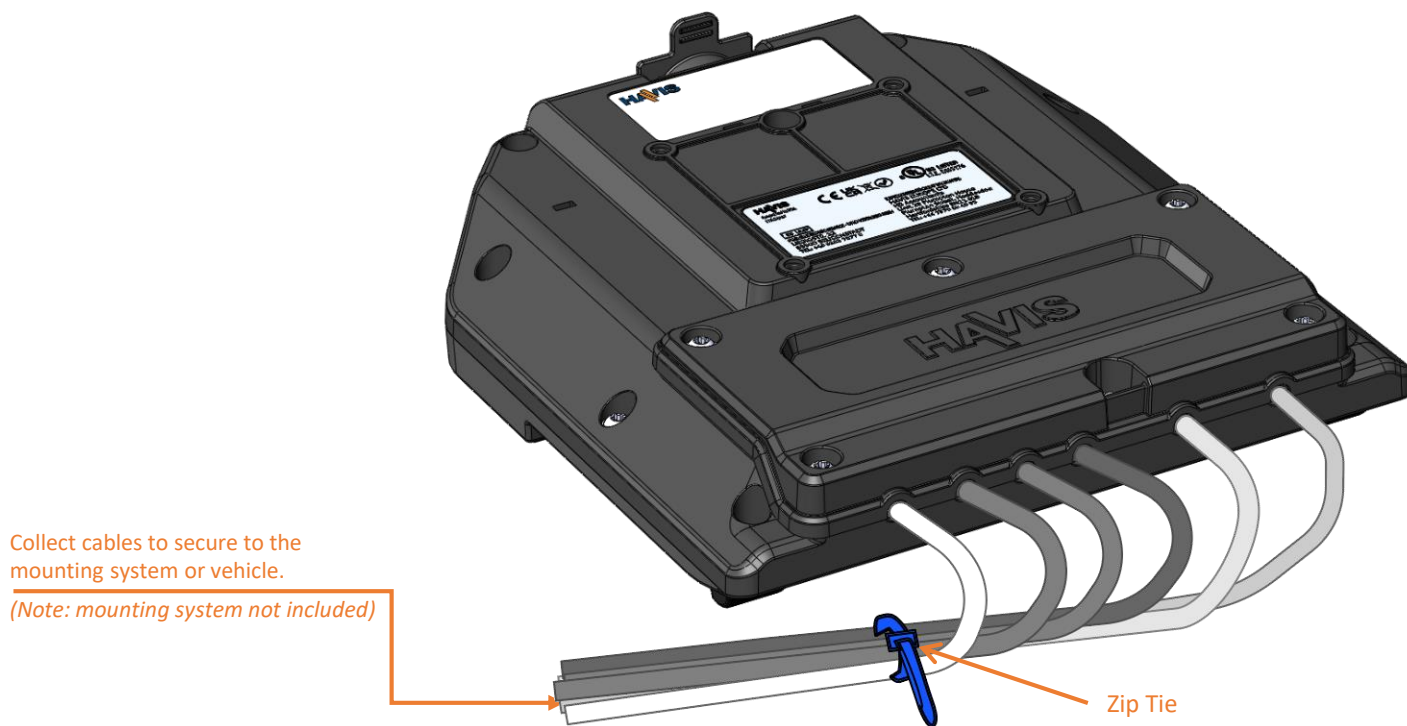
# Cable Management (DS-TAB-300 Series)

- 1) Secure I/O Cover to Docking Station, being careful not to pinch cables. Use a T20 Torx bit (Not Included) and Thread Forming Screws. Torque to 8 – 10 in-lbs (0.9 – 1.1 Nm).

**Note:** In order for the solution to meet its IP-65 rating, IP-65 Cable Sealing Installation (see pages 6 - 8) must be completed prior to securing the I/O Cover to the Docking Station.



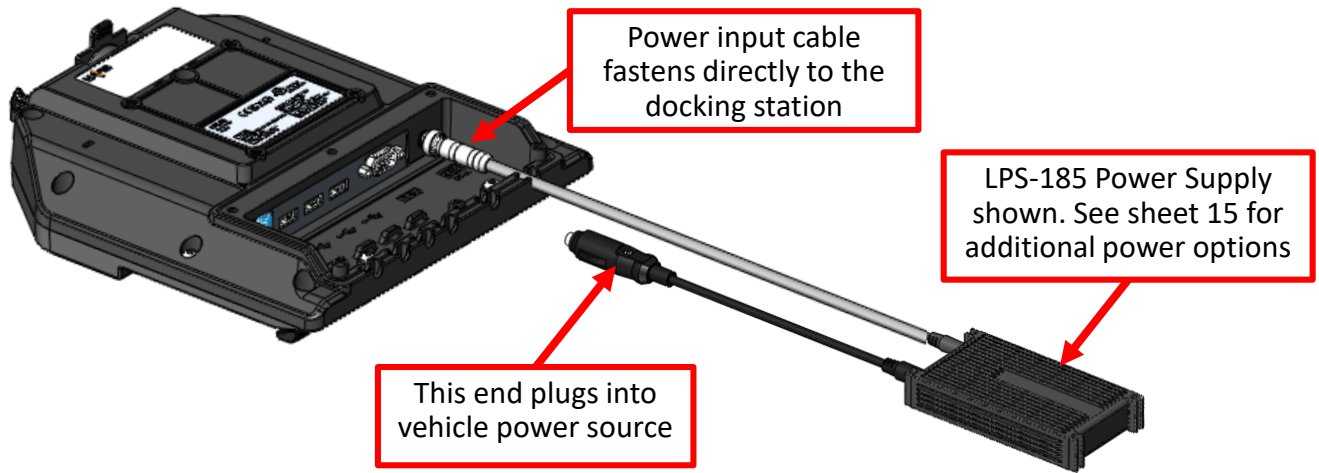
- 2) Create a service loop with cables to ensure that no tension is on the connectors and to enable intended motion.
- 3) Tie off cables onto a stationary part of the mounting system or vehicle.



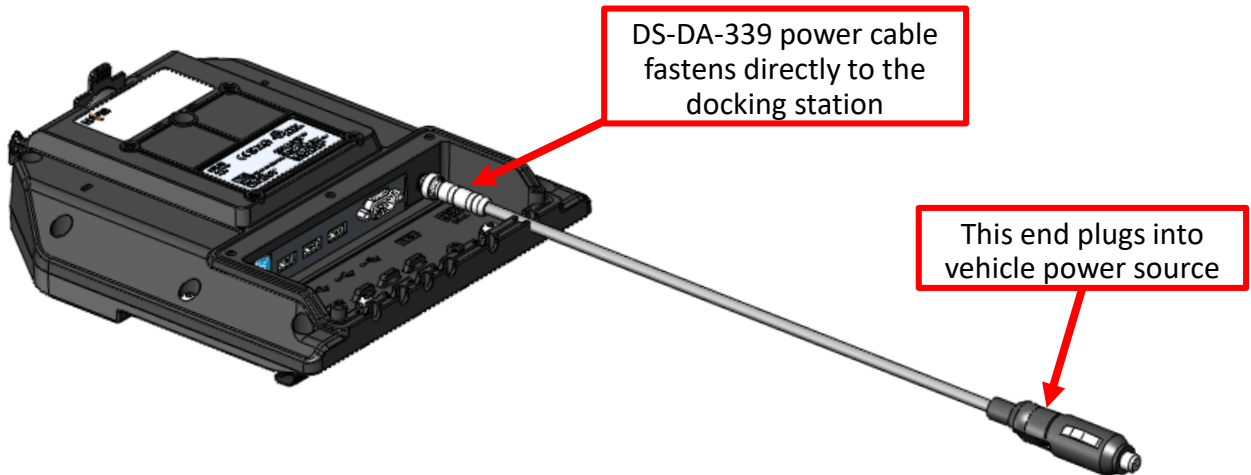
# Power Input Configuration

There are two different power supply options for the DS-TAB-300 Series Docking Station. Below are diagrams showing the power input set up for each specific configuration of the dock.

## External Power Supply Configurations DS-TAB-301



## Internal Power Supply Configurations DS-TAB-302



\*\*\* For clarity, all input/output power cables are shown shorter than their actual lengths

## NOTICE

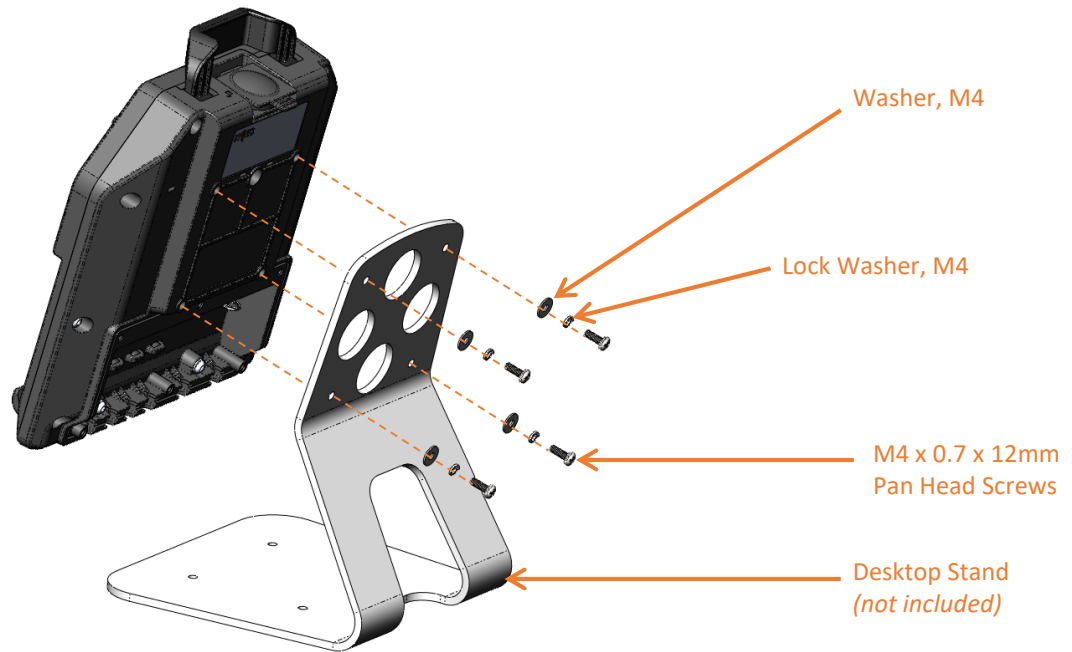
**DO NOT CONNECT ANY ADDITIONAL POWER SUPPLY TO THE TABLET WHEN IT IS DOCKED. MULTIPLE POWER SUPPLIES WILL CAUSE DAMAGE TO THE TABLET**



# Installation (DS-TAB-300 Series)

- 1) Align Docking Station mounting holes with the hole pattern on mounting device. Using the four (4) M4 0.7 x 12mm Pan Head Screws (Hardware Kit Item 3), four (4) Washers, M4 (Hardware Kit Item 4), and four (4) Lock Washers, M4 (Hardware Kit Item 5), secure the Docking Station to device. **Torque screws to 15 in-lbs (1.7Nm) ± 10%**

A) Havis Desktop Stand installation (sold separately, Part # DS-DA-218).

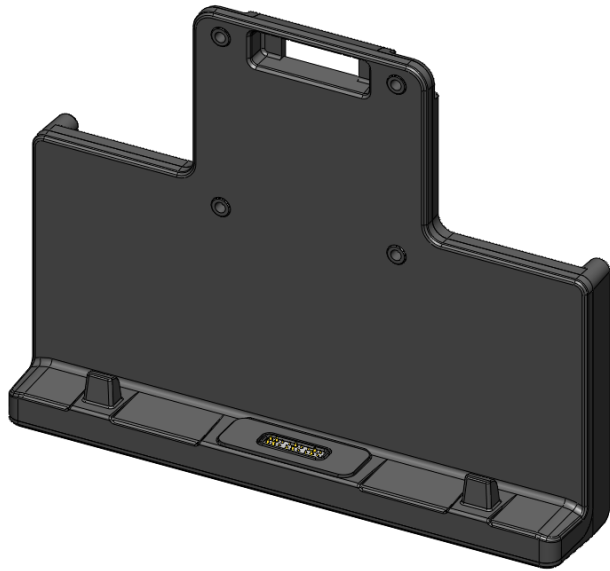


B) In-Vehicle mounting system installation (not included).

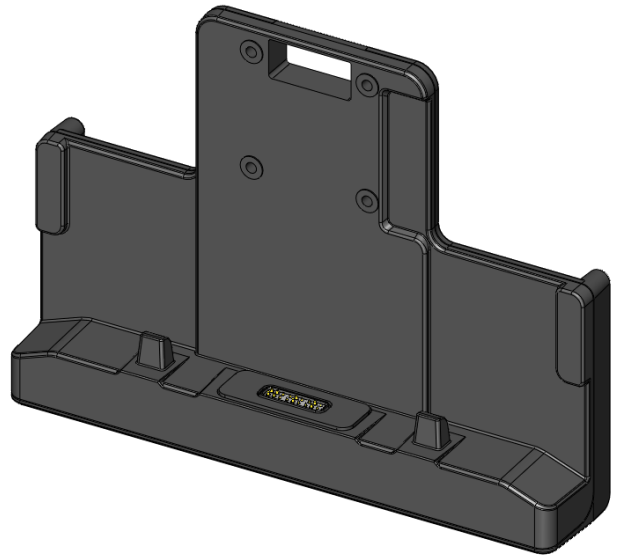


# Parts Included (TA-100 Series)

TA-101

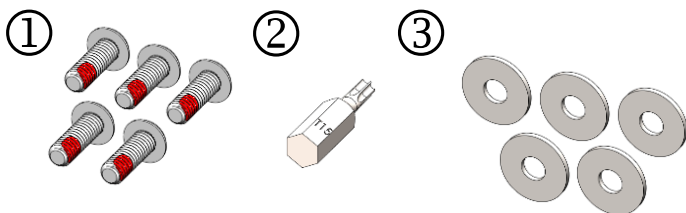


TA-102



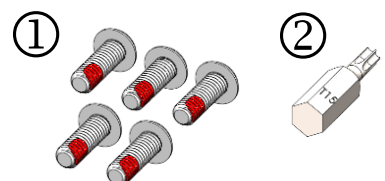
Hardware Kit (30-013102)

1. M4 , 12mm Long Tamper Resistant Machine Screw (x5)
2. T15 Pin-In-Torx Drive (x1)
3. M4 Washer (x5)



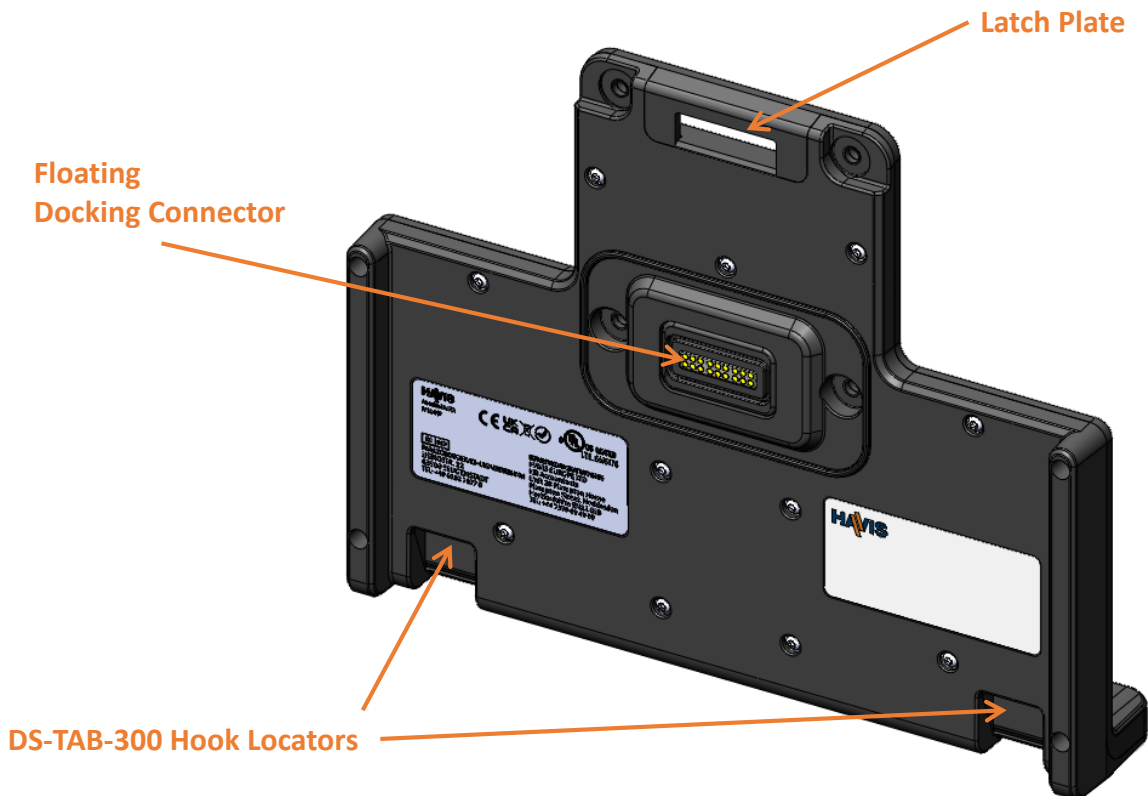
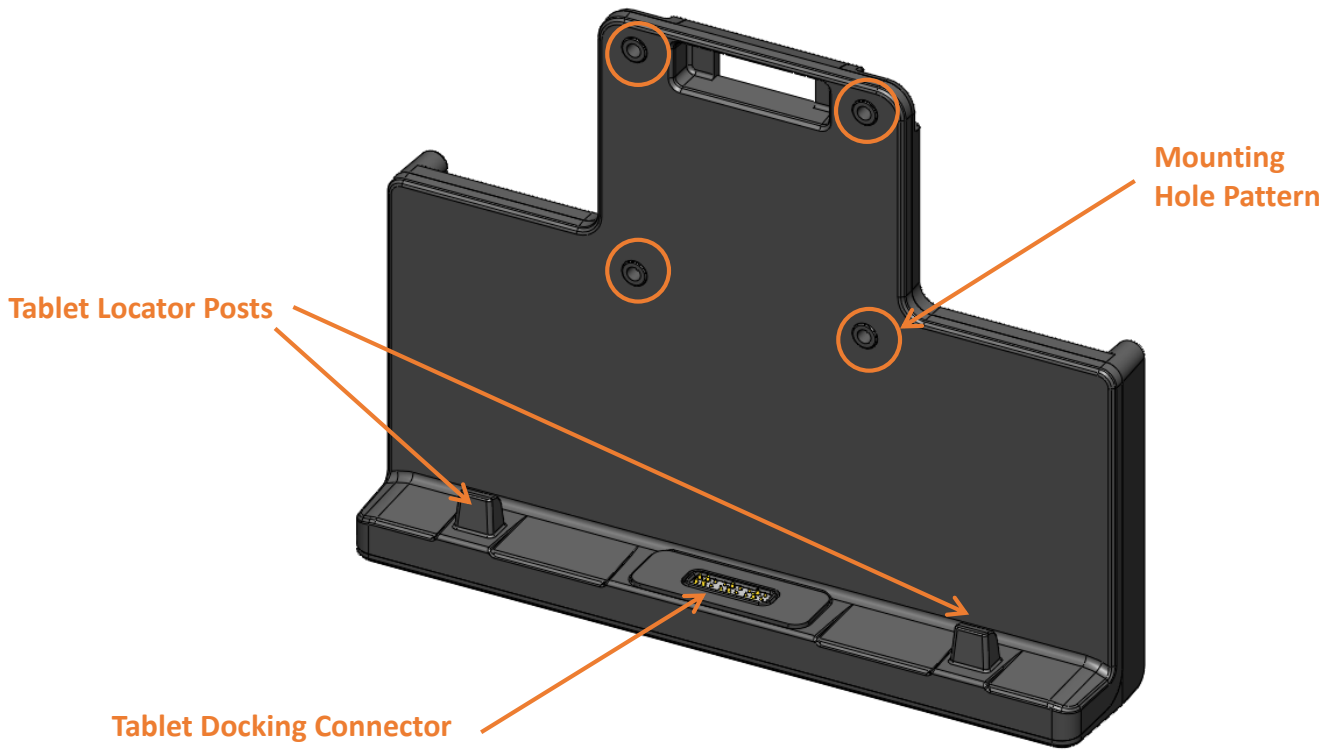
Hardware Kit (30-013758)

1. M4 , 12mm Long Tamper Resistant Machine Screw (x5)
2. T15 Pin-In-Torx Drive (x1)



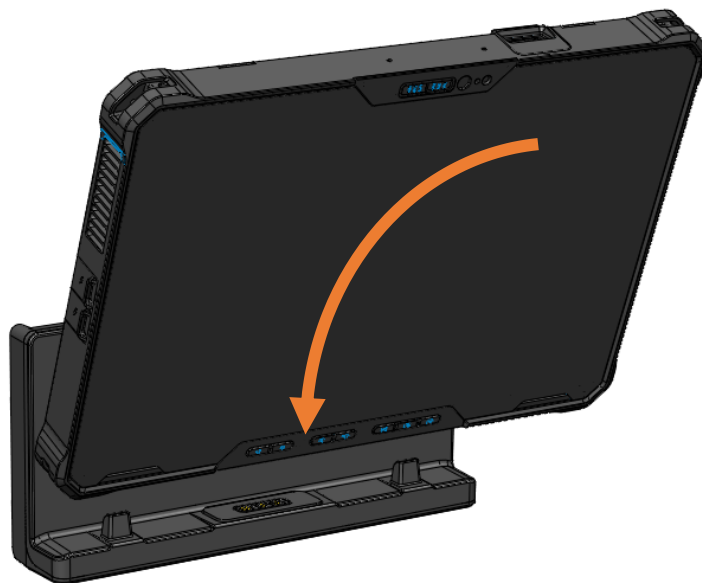
# Parts Included (TA-100 Series)

Tablet Accessory (TA-101 Shown)



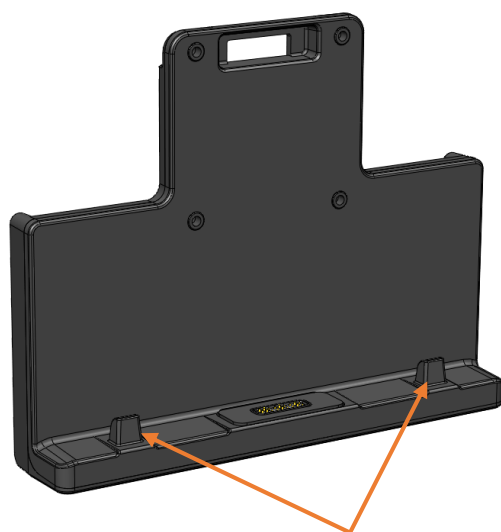
## Tablet Accessory Installation (TA-100 Series)

1. Hold the tablet in landscape orientation with the bottom angled towards the docking station. Lower the tablet into the docking station.



### CAUTION

**DO NOT FORCE TABLET ONTO TABLET ACCESSORY. IF THERE IS RESISTANCE, MAKE SURE THE TABLET'S ALIGNMENT SOCKETS ALIGNS WITH THE TABLET ACCESSORY'S ALIGNMENT POSTS.**



Docking station alignment sockets



Tablet alignment sockets



## Tablet Accessory Installation (TA-100 Series)

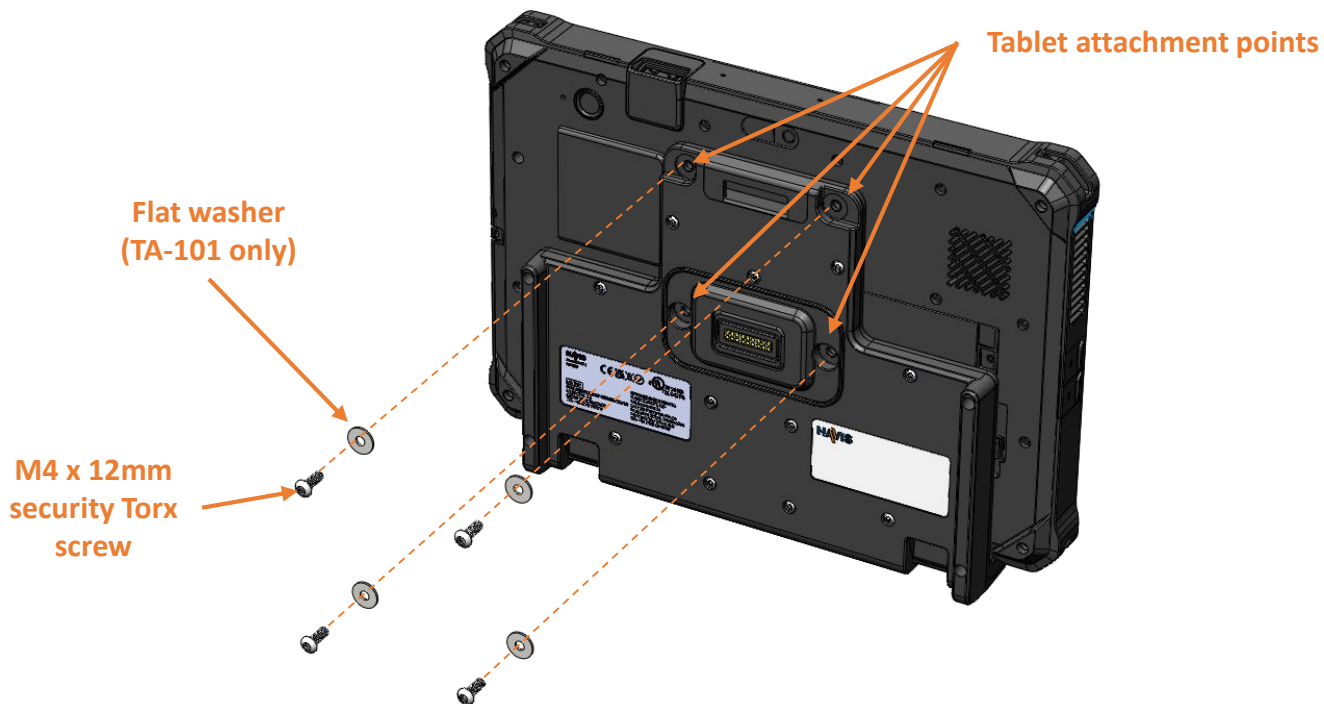
2. Pivot the top of the tablet into the docking station.



3. While lightly applying downward pressure to the tablet, attach the tablet using:

- (x4) M4 x 12mm security Torx screws (*Hardware Kit Item #1*)
- (x1) T15 security Torx bit (*Hardware Kit Item #2*)
- (x4) Flat Washers (*Hardware Kit Item #3*) Included in TA-101 ONLY\*

Torque screws to 12 – 15 in-lbs (1.4 – 1.7 Nm).

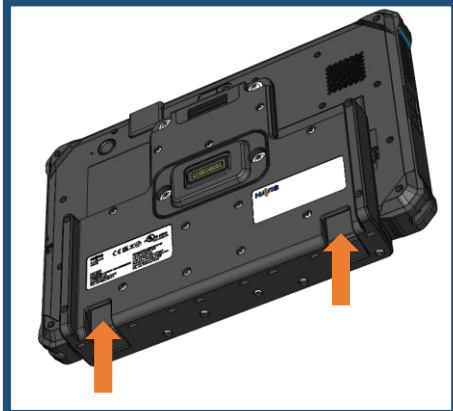


# Operation - Docking

## CAUTION

**DO NOT FORCE TABLET ACCESSORY ONTO DOCKING STATION. IF THERE IS RESISTANCE, CHECK ALIGNMENT OF ACCESSORY ON DOCKING STATION.**

**NOTE: Ensure a proper connection by aligning the Tablet Case's Alignment Pockets with the Docking Station's Front Hooks**

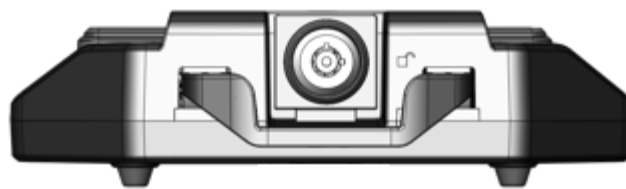


Alignment Sockets on the bottom piece of the TA-100 Series Tablet Accessory

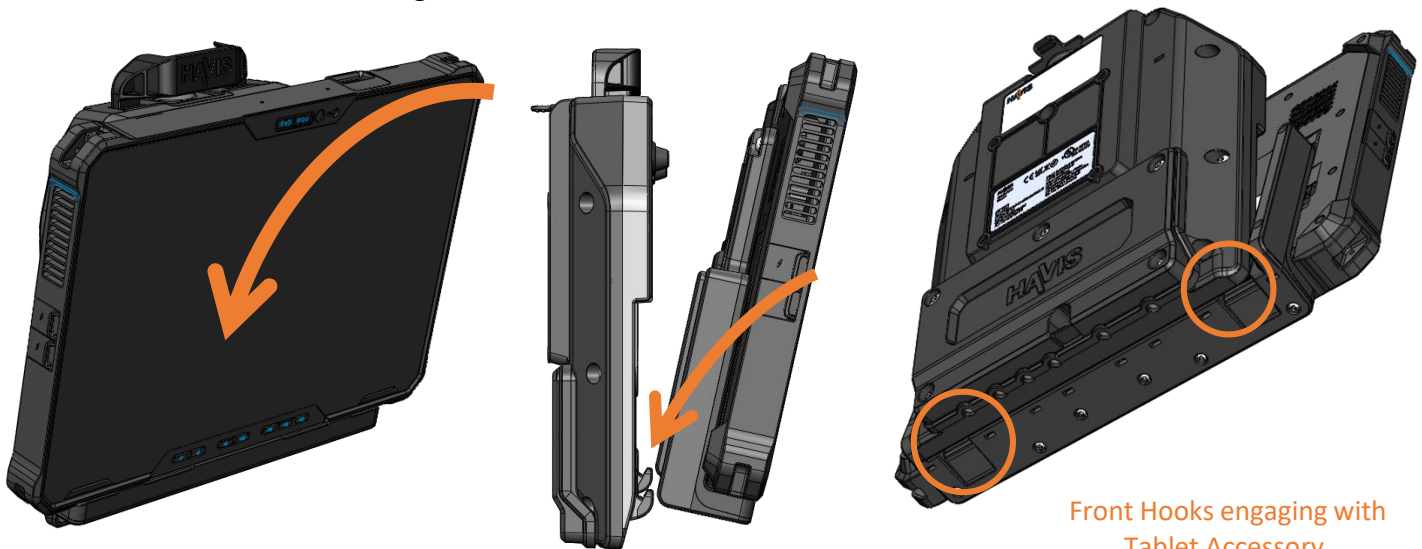


Front Hooks on the DS-TAB-300 Series Docking Station

- 1) Ensure the Docking Station is unlocked.



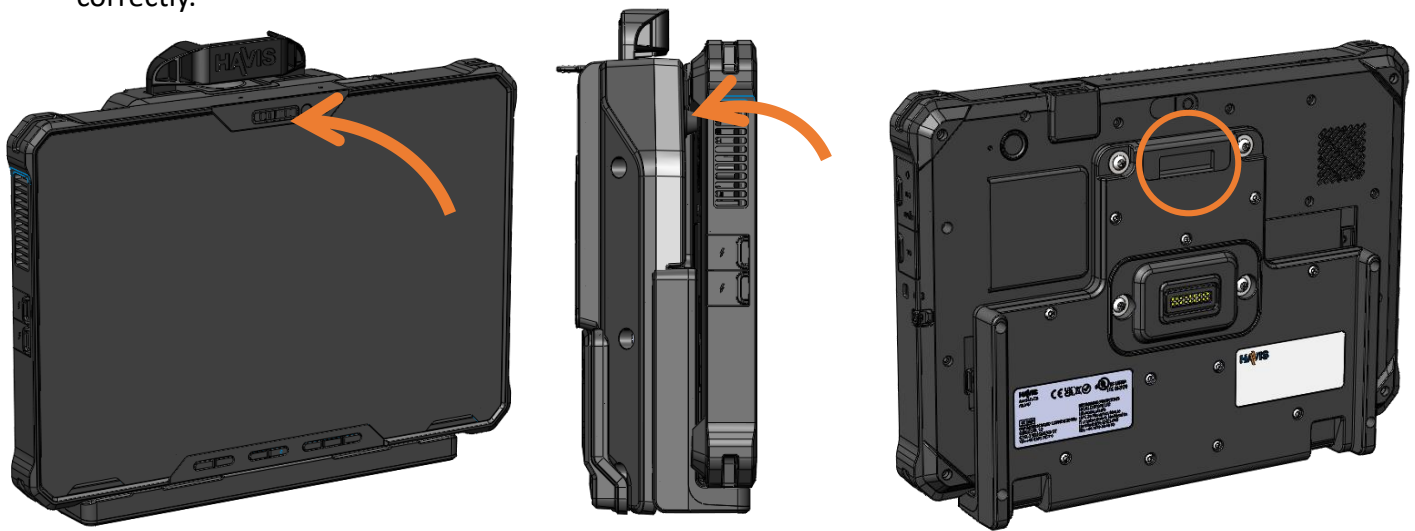
- 2) Hold Tablet Accessory with bottom angled toward Docking Station. Lower Tablet Accessory onto the Docking Station so the Alignment Pockets on the Tablet Accessory align with the Front Hooks on the Docking Station.



Front Hooks engaging with Tablet Accessory.

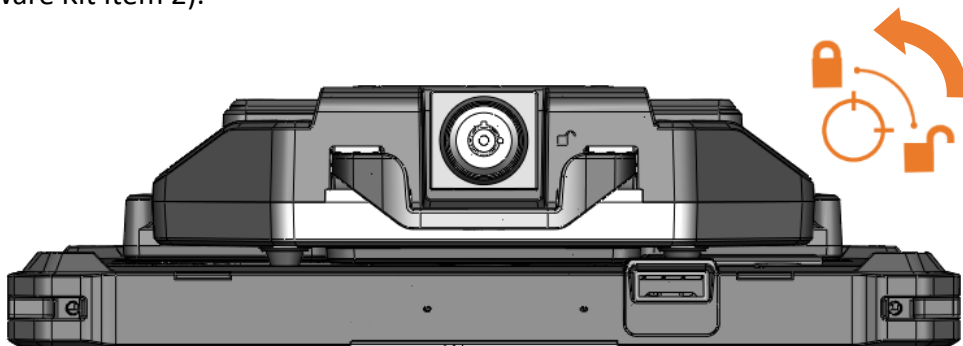
## Operation – Docking (continued)

- 3) Pivot Tablet Accessory into the Docking Station until the Docking Station's Latch Hook engages with the Latch Hook Recess on the Tablet Accessory Case. A click will be heard when docked correctly.

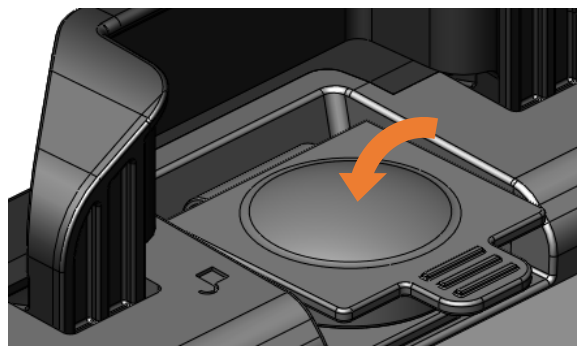


Latch Hook engages with Tablet Accessory Latch Plate

- 4) For theft deterrence, secure Tablet Accessory by locking Docking Station with supplied key (Hardware Kit Item 2).

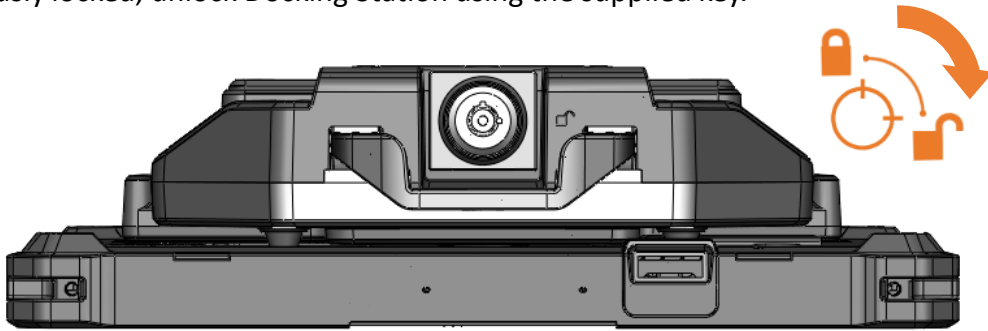


- 5) Lock Cover provides IP65 protection. To ensure ingress protection, close Lock Cover tab and press down (see image below) to ensure tight seal.

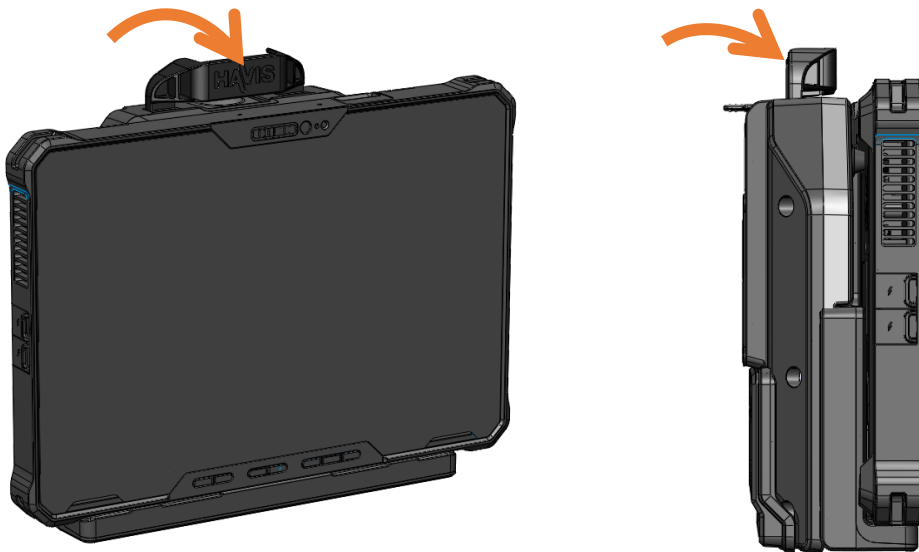


# Operation - Undocking

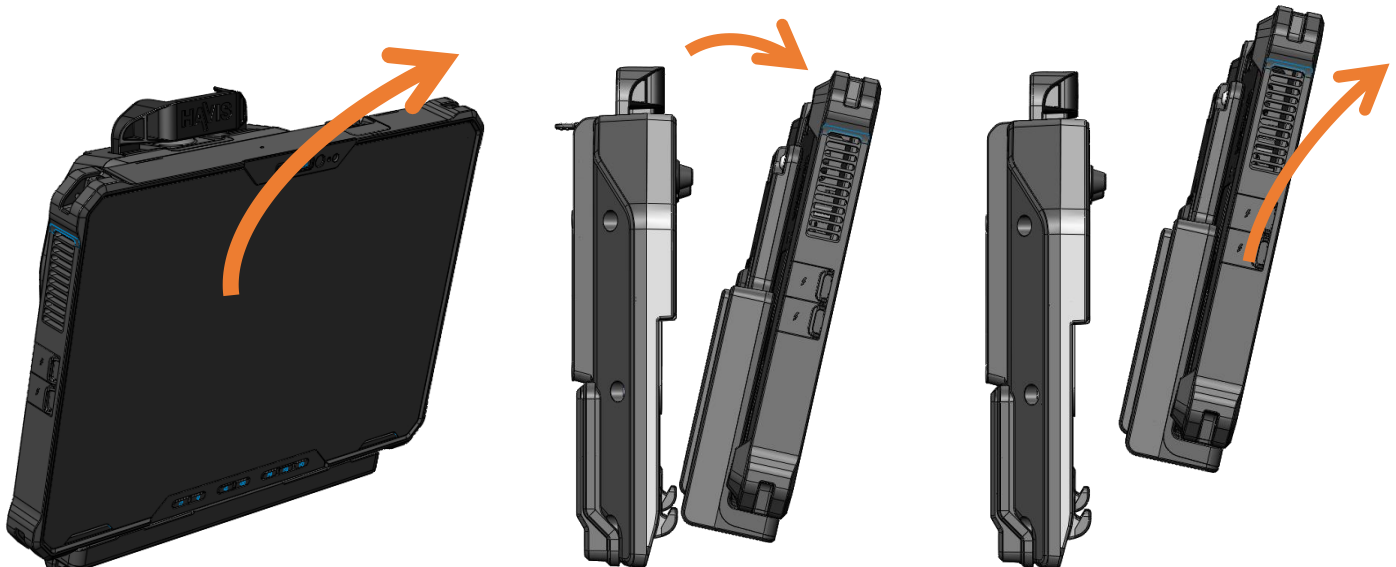
1) If previously locked, unlock Docking Station using the supplied key.



2) While holding Tablet Accessory with one hand, Pull the Release Handle on the top of Docking Station.



3) While pulling the Release Handle grab the Tablet Accessory, rock the top forward and carefully lift out of Docking Station, top end first.



## Related Products

Havis offers a wide variety of accessory products specifically for use with your Docking Station. For more information or to order, please visit [www.havis.com](http://www.havis.com).



**DS-DA-339**  
*Power Cable*  
Power cable for DS-TAB-302



**DS-DA-218**  
*Desktop Stand*  
Durable stand for mounting the DS-TAB-300 Series Docking Station on the production shop floor.



**DS-DA-504**  
*Replacement Keys*  
Set of (2) replacement keys for DS-TAB-300 Series Docking Stations



### Power Supplies (for DS-TAB-301)

**LPS-185**  
*Power Supply w/Cigarette Input Cable*

**LPS-186**  
*Isolated Power Supply w/Hardwired Input Cable (12-32VDC)*

**LPS-187**  
*Isolated Power Supply w/Hardwired Input Cable (20-60VDC)*

**LPS-188**  
*Isolated Power Supply w/Hardwired Input Cable (70-110VDC)*

**LPS-181**  
*AC Power Supply w/Hardwired Output Cable*

